



Pressure Plates, shock absorbing



Art.-Nr. 2.5504.00.0506.01000

2 · 2007 · 2006 · 1 □

07/2006

Pressure Plates, shock absorbing

The Shock Absorbing Pressure Plate is designed to counter the 3 main problems encountered in pressing work:

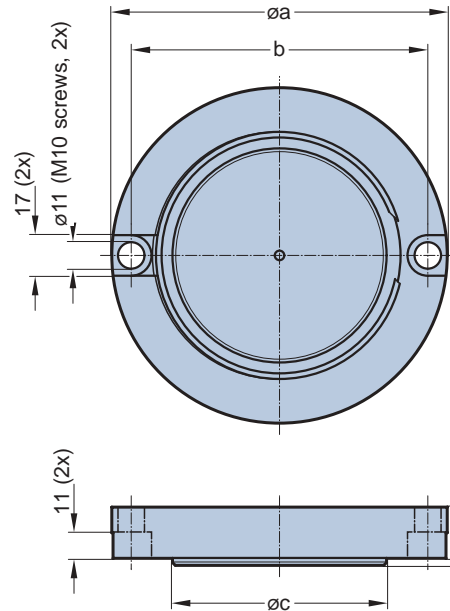
- extreme impact loads
- high noise levels
- risk of lower quality parts.

The Shock Absorbing Pressure Plate contains specially developed damping which reduces the undesirable shock loads which result in high costs for press maintenance, excessive noise and lower quality parts.

Features:

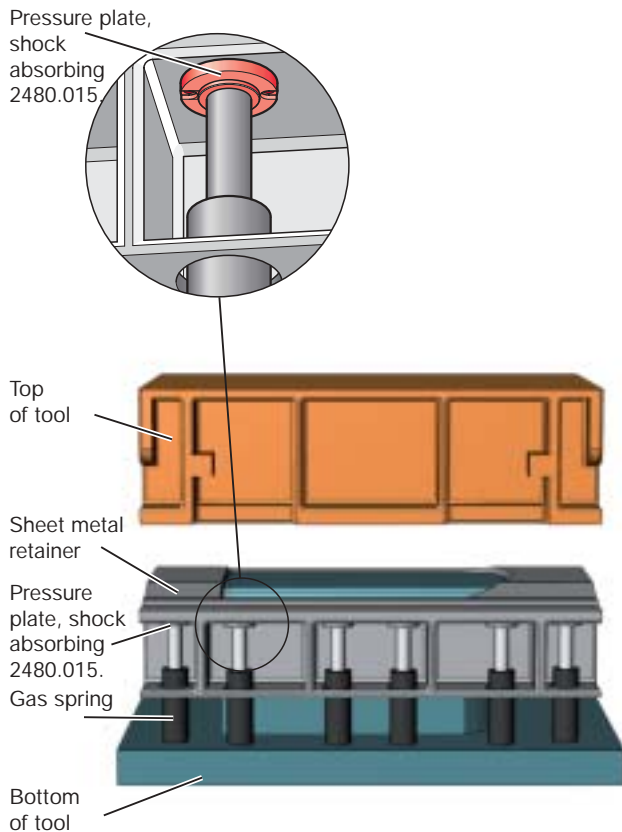
- for spring forces 750 - 10000 daN
- service life of 1 million strokes
- compact
- countersunk fixing holes (2 x M10)
- hardened pressure surface
- recommended max. strokes/min: 20

Dimensions



Order no.	Gas spring strength	Øa	b	Øc
2480.015.01500	750 up to ≤ 1500 daN	108	91	58
2480.015.05000	>1500 up to ≤ 6600 daN	143	126	92
2480.015.10000	>6600 up to ≤ 10000 daN	167	150	112

Installation example



Function

