



Manifold-systems

- PED 97/23/EC approved
- Ready to be installed and completely mounted
- Lower pressure and force increase to max. 10%
- Easy filling and controlling of the system in built-in position
- Easy to install and deinstall
- Low space requirement



Order no: 2.5501.01.0807.01000

2 · 19485 · 2004 · 1 □

08/2007



**FIBRO Manifold-systems**

- could be used alternative to gas spring hose systems
- is known for a very low pressure and force increase during the complete stroke length
- high repair and service facilities by long maintenance rate
- no hose systems necessary
- guarantee of tightness also by numbers of assembling and disassembling of the system
- small mounting dimensions
- PED 97/23/EC approved and ready to be installed (completely mounted)
- high forces at tighten space

Further information

- other forces and dimensions on request
- customized design of the manifold-system by qualified persons
- individual machining to customized details
- short delivery time
- manifold-cylinders are on hand (at stock)

Technical Informations

Pressure medium:	Nitrogen N ₂
max. filling pressure:	110 bar at 20°C
min. filling pressure:	30 bar at 20°C
Working temperature:	0°C to +40°C
max. piston speed:	0,58 m/s



2495.



Manifold-systems

2495.13.02500.

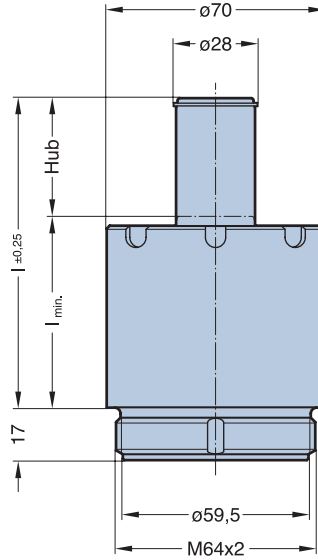
2495.13.05000.

Manifold-Cylinder, standard

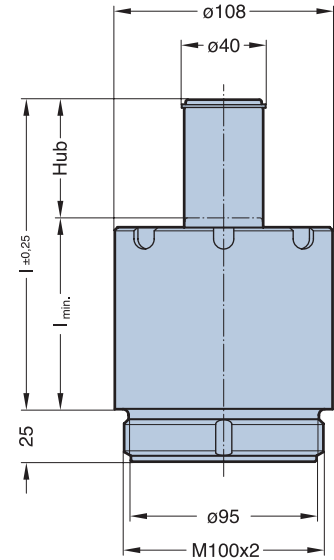
Order No.	Stroke	$l_{min.}$	l
2495.13.02500.025	25	49	74
.038	38	62	100
.050	50	74	124
.075	75	99	174
.100	100	124	224

2495.13.05000.025	25	63,5	88,5
.038	38	76,5	114,5
.050	50	88,5	138,5
.075	75	113,5	188,5
.100	100	138,5	238,5
.150	150	188,5	338,5

2495.13.02500.



2495.13.05500.



2495.23.02500.

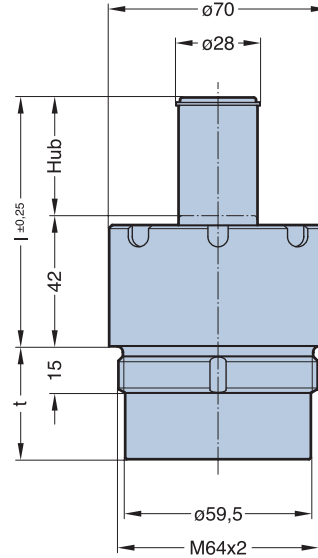
2495.23.05000.

Manifold-Cylinder, low profile

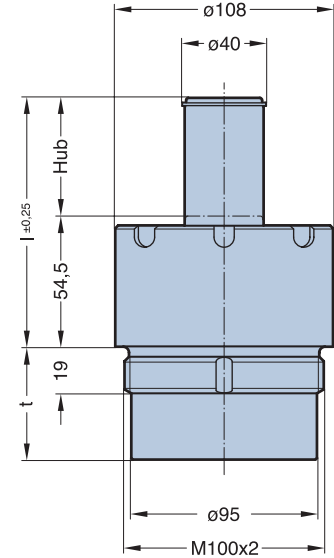
Order No.	Stroke	t	l
2495.23.02500.025	25	23,3	67
.038	38	36,3	80
.050	50	48,3	92
.075	75	73,3	117
.100	100	98,3	142
.150	150	148,3	192

2495.23.05000.025	25	34	79,5
.038	38	47	92,5
.050	50	59	104,5
.075	75	84	129,5
.100	100	109	154,5
.150	150	159	204,5

2495.23.02500.



2495.23.05500.



2495.33.02500.

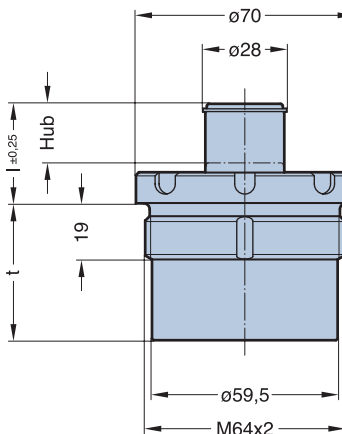
2495.33.05000.

Manifold-Cylinder, compact design

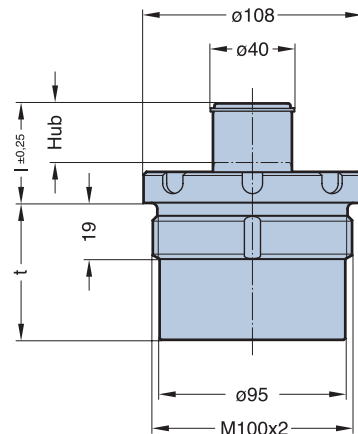
Order No.	Stroke	t	l
2495.33.02500.006	6	30	18
.010	10	34	22
.015	15	39	27
.020	20	44	32

2495.33.05000.006	6	37	22
.010	10	41	26
.015	15	46	31
.020	20	51	36

2495.33.02500.



2495.33.05500.





FIBRO GmbH



Standard Parts

Postfach 11 20
DE-74851 Hassmersheim

August-Laepple-Weg
DE-74855 Hassmersheim

Telefon +49 (0) 62 66 - 73 - 0*
Telefax +49 (0) 62 66 - 73 - 237

info@fibro.de
www.fibro.com



Rotary Tables

Postfach 11 20
DE-74183 Weinsberg

Weidachstrasse 41 - 43
DE-74189 Weinsberg

Telefon +49 (0) 71 34 - 73 - 0*
Telefax +49 (0) 71 34 - 73 - 120

info@fibro.de
www.fibro.com



Automation

Postfach 11 20
DE-74851 Hassmersheim

August-Laepple-Weg
DE-74855 Hassmersheim

Telefon +49 (0) 62 66 - 73 - 0*
Telefax +49 (0) 62 66 - 73 - 5238

info@fibro-gsa.de
www.fibro-gsa.com

FIBRO GSA

Automation GmbH



FIBRO

BP no 129
FR-93172 Bagnolet Cedex

19/21, rue Jean Lolive
FR-93170 Bagnolet

Téléphone +33 (0) 143 62 18 81
Télécopieur +33 (0) 148 59 17 47

info@fibro.fr
www.fibro.com



FIBRO

BP no 129
FR-93172 Bagnolet Cedex

19/21, rue Jean Lolive
FR-93170 Bagnolet

Téléphone +33 (0) 143 62 18 89
Télécopieur +33 (0) 148 18 73 46

info@fibro.fr
www.fibro.com



FIBRO

BP no 129
FR-93172 Bagnolet Cedex

19/21, rue Jean Lolive
FR-93170 Bagnolet

Téléphone +33 (0) 143 62 18 89
Télécopieur +33 (0) 148 18 73 46

info@fibro.fr
www.fibro.com



FIBRO GmbH Subsidiary

Buechstrasse 10
CH-5027 Herznach

Telefon +41 (0) 62-878 18 80
Telefax +41 (0) 62-878 18 82

sales.ch@fibro.com
www.fibro.com



FIBRO Inc.

P.O. Box 5924
US-Rockford, IL 61125

139 Harrison Avenue
US-Rockford, IL 61104

Phone +1 815 - 229 13 00
Fax +1 815 - 229 13 03

info@fibroinc.com
www.fibro.com



FIBRO ASIA Pte.Ltd.

121 Genting Lane, #02-02
SG-Singapore 349572

Phone +65 - 68 46 33 03
Fax +65 - 68 46 33 02

info@fibro-asia.com
www.fibro.com