



Headed Guide Bushes to DIN 9831/ISO 9448-6 Steel, with bronze coated internal bore



Ordering Code 2.5300.01.0704.01000

Empty rectangular box for text or information.



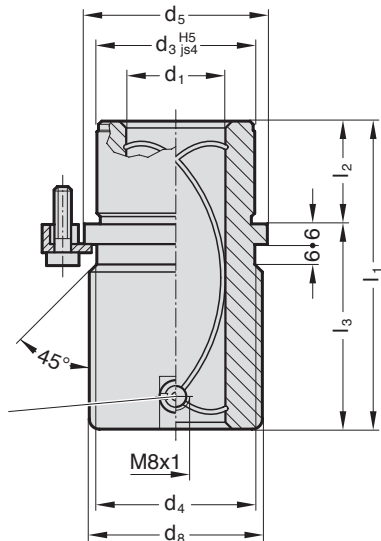
Large empty rounded rectangular box for drawing or content.



2081.81.
2081.84.
2081.85.

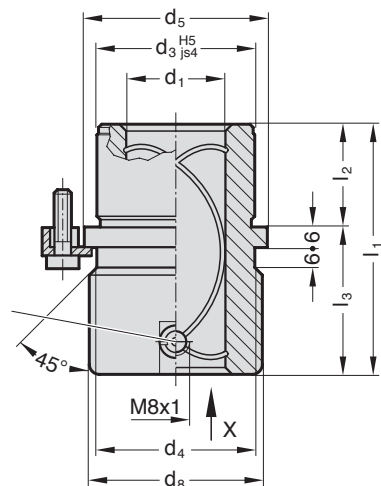
Headed Guide Bushes to ISO 9448, Steel, with bronze coated internal bore

2081.81.



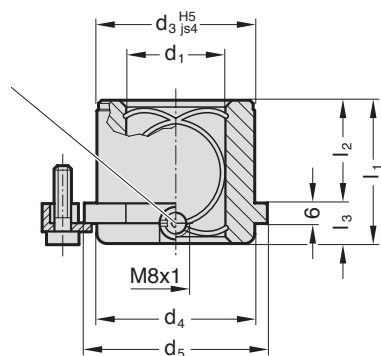
Grease nipple
with thread
DIN 3405 - A M8x1

2081.84.



Grease nipple
with thread
DIN 3405 - A M8x1

2081.85.

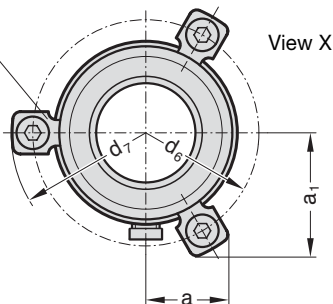


Grease nipple
with thread
DIN 3405 - A M8x1

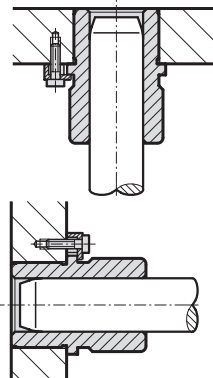
207.45

Order No. for replacement parts

Screw clamp
with cap screws
M6 x 20 similar
DIN 6912,
head Ø13,
(four clamps for size
Ød₁ = 38 mm and over)



Mounting Examples



Note:

Headed Guide Bushes are to be held in H5-retainer bores. Three screw clamps are provided for fixing; sizes d₁ = 38 mm and over have four.

Guide pairing:
We recommend the use of guide pillars from pairing class .20/30
These guide bushes are supplied complete with clamps and low-head socket cap screws similar DIN 6912, head Ø 13.

Material: 1.0503
Ød₃ and d₈ induction hardened to 500+100 HV 10.

Execution: Bronze coated internal bore.
Diameter d₃ and collar face precision ground.

Ordering code (example):

Headed guide bush = 2081.81.
d₁ = 40 mm = 040
Order No = 2081.81.040

2081.81.

d ₁	19	20	24	25	30	32	38	40	48	50	60	63	80
tol.	+0,012	+0,012	+0,015	+0,015	+0,015	+0,015	+0,015	+0,015	+0,015	+0,018	+0,018	+0,018	+0,018
d ₃	32	40	48	58	70	85	105	118	129	141,7	150	150	150
d ₄	32	40	48	58	70	85	105	118	129	141,7	150	150	150
d ₅	40	48	56	66	80	95	118	129	141,7	150	150	150	150
d ₆	52	60	67	77	91	106	129	141,7	150	150	150	150	150
d ₇	64,7	72,7	79,7	89,7	103,7	118,7	141,7	150	150	150	150	150	150
d ₈	39	46	53	63	77	92	115	129	141,7	150	150	150	150
a	20,7	22,65	24,4	35,3	40,2	45,5	54,5	54,5	54,5	54,5	54,5	54,5	54,5
a ₁	30	33,4	36,4	35,3	40,2	45,5	54,5	54,5	54,5	54,5	54,5	54,5	54,5
l ₁	59	79	93	108	127	150	150	150	150	150	150	150	150
l ₂	23	23	30	37	47	60	60	60	60	60	60	60	60
l ₃	36	56	63	71	80	90	90	90	90	90	90	90	90

2081.84.

d ₁	19	20	24	25	30	32	38	40	48	50	60	63	80
tol.	+0,012	+0,012	+0,015	+0,015	+0,015	+0,015	+0,015	+0,015	+0,015	+0,018	+0,018	+0,018	+0,018
l ₁	43	59	75	82	97	116	120	120	120	120	120	120	120
l ₂	23	23	30	37	47	60	60	60	60	60	60	60	60
l ₃	20	36	45	45	50	56	60	60	60	60	60	60	60

2081.85.

d ₁	19	20	24	25	30	32	38	40	48	50	60	63	80
tol.	+0,012	+0,012	+0,015	+0,015	+0,015	+0,015	+0,015	+0,015	+0,015	+0,018	+0,018	+0,018	+0,018
l ₁	35	35	42	52	65	80	80	80	80	80	80	80	80
l ₂	23	23	30	37	47	60	60	60	60	60	60	60	60
l ₃	12	12	12	15	18	20	20	20	20	20	20	20	20



FIBRO GmbH



Standard Parts

Postfach 1120
DE-74851 Hassmersheim

August-Läpple-Weg
DE-74855 Hassmersheim

Telefon +49 (0) 62 66 - 73 - 0*
Telefax +49 (0) 62 66 - 73 - 237

e-mail: info@fibro.de
<http://www.fibro.com>



Indexing Tables

Postfach 1120
DE-74183 Weinsberg

Weidachstraße 41 – 43
DE-74189 Weinsberg

Telefon +49 (0) 71 34 - 73 - 0*
Telefax +49 (0) 71 34 - 73 - 120

e-mail: info@fibro.de
<http://www.fibro.com>



Automation+Robotics

Postfach 1120
DE-74851 Hassmersheim

August-Läpple-Weg
DE-74855 Hassmersheim

Telefon +49 (0) 62 66 - 73 - 0*
Telefax +49 (0) 62 66 - 73 - 213

e-mail: info@fibro.de
<http://www.fibro.com>



FIBRO GmbH

Buechstraße 10
CH-5027 Herznach

Telefon +41 (0) 62-878 18 80
Telefax +41 (0) 62-878 18 82

e-mail: s.weyeneth@bluewin.ch
<http://www.fibro.com>



FIBRO

BP no 129
FR-93172 Bagnolet Cedex

19/21, rue Jean Lolive
FR-93170 Bagnolet

Téléphone +33 (0) 143 62 18 81
Télécopieur +33 (0) 148 59 17 47

e-mail: info@fibro.fr
<http://www.fibro.fr>



FIBRO

BP no 129
FR-93172 Bagnolet Cedex

19/21, rue Jean Lolive
FR-93170 Bagnolet

Téléphone +33 (0) 143 62 18 89
Télécopieur +33 (0) 148 18 73 46

e-mail: info@fibro.fr
<http://www.fibro.fr>



FIBRO Inc.

P.O.Box 5924
US-Rockford, IL 61125

139 Harrison Avenue
US-Rockford, IL 61104

Phone +1 815 - 229 13 00
Fax +1 815 - 229 13 03

e-mail: info@fibroinc.com
<http://www.fibro.com>



FIBRO ASIA Pte.Ltd.

121 Genting Lane
2nd floor
SG-Singapore 349572

Phone + 65 - 68 46 33 03
Fax + 65 - 68 46 33 02

e-mail: fibro@pacific.net.sg
<http://www.fibro.com>